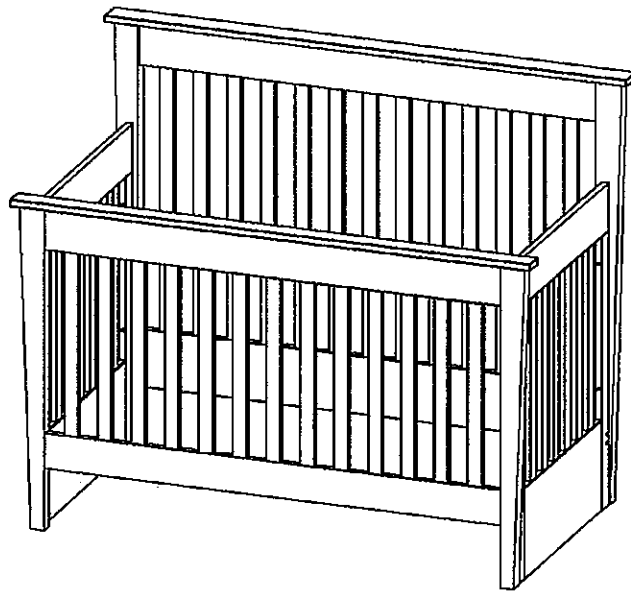


Assembly Instructions

ARVADA CONVERTIBLE CRIB



AR-C03/CB & AR-U03/CB



WARNING STATEMENT:

The proper use of this crib is important for your baby's safety. To keep your baby safe and secure, and to avoid potential injury or death, carefully read and familiarize yourself with all warnings, cautions and instructions in the instruction booklet. Keep this instruction booklet for future use. **Do not** throw the instruction booklet away.

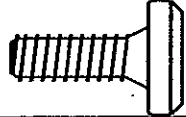

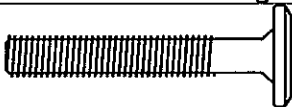
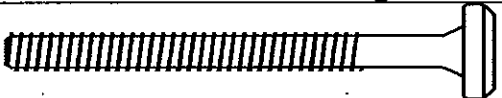

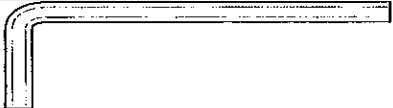
Safe Storage and Cleaning of Crib

When cleaning the surface of this crib, use a damp cloth and gently wipe surface area. If crib requires disinfecting, use a non-toxic or child-friendly cleanser. When not in use, this crib should be safely stored in a dry and mild area.

Assembly tools and parts:

Included in Package

The following tools and parts are included with your crib package and are required for the safe assembly of this crib.

(A) 20mm Bolt	4	
(B) 30mm Bolt	4	
(C) 35mm Bolt	8	
(D) 65mm Bolt	8	
(E) Nut	8	
(F) Hex wrench	1	


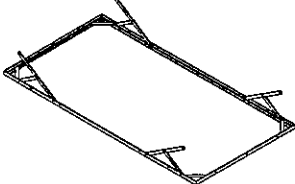

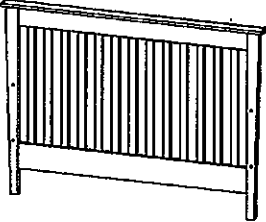
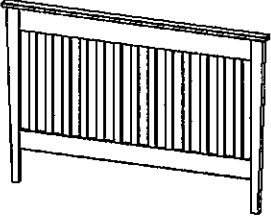
****All bolts used for cribs are metric****

Additional Tools and Parts Required

- 1 – Standard wrench (for tightening nuts)

CAUTION: Do not use a power screwdriver, it can cause screws to break or strip. (warranty does not cover this damage)

Crib Parts Included in this Package

(1) Crib Wing (side)	2 Crib Wings (right & left) included in your package	
(2) Spring Deck	1 spring deck used to support your child's mattress	
(3) Stabilizer Bar	2 stabilizer bars used to attach the spring deck to the crib.	
(4) Crib Head-End	1 Head end used to enclose the back portion of the crib	
(5) Crib Foot-End	1 Foot end used to enclose the front portion of the crib	

Before Set-Up:

- Ensure that you have all the necessary assembly parts and tools
- Have a large space to conduct the assembly of the crib
- When assembling your crib, do not fully tighten screws and bolts until the assembly step is complete.
- Carefully read the warning statements attached to the crib, and the caution statements within the instruction booklet. These statements outline crucial points to ensure the safety of your child.
- Carefully review the instruction booklet and familiarize yourself with the various steps involved in the secure assembly of the crib.
- Please refer to the *Cribs and Cradles Regulations Act SOR/86-962 (CAN)* and/or *Act 61 FR 13096 (U.S.)* for more information concerning product safety requirements.

Safety Hardware

College Woodwork is making changes for the safety of consumers, and as such, it is important to have an intimate familiarity with these changes.

Our first step in increasing the safety of our products is the implementation of a new piece of hardware – the lock washer. This lock washer will act as a safety mechanism for added security against bolt 'back-out' and structural compromise.

Included in this package:

Lock Washers 16-24	
---------------------------	--

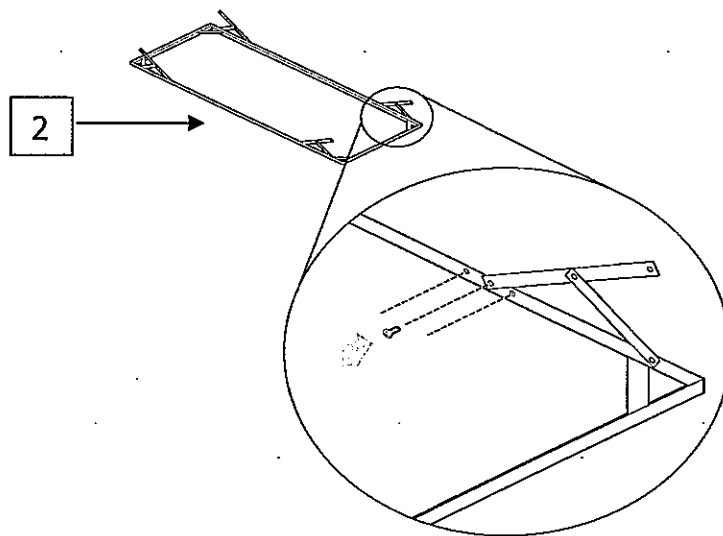
Installing Your Lock Washer(s):

This package will provide you with **lock washers** to use for every bolt on the crib. It is recommended that you use 1 lock washer for each bolt used in the construction of the crib.

Step 1: Adjusting the spring deck

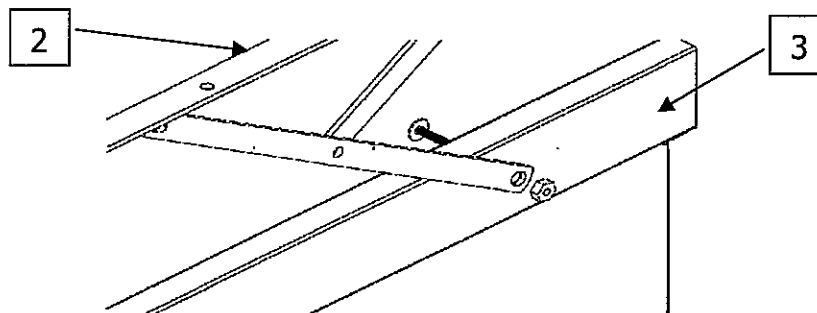
Before attaching the spring deck (2) to the stabilizer bars (3), set the height according to the age of your child (a newborn child's crib should be adjusted to the highest position). To adjust the height of your spring deck, use a 20mm (A) bolt and place it into the adjustment hole of the spring deck (located on the surface of the spring deck, beside the stationary screw). Use the four nuts provided to secure the adjustment.

****securely tighten all bolts once adjustment is complete****



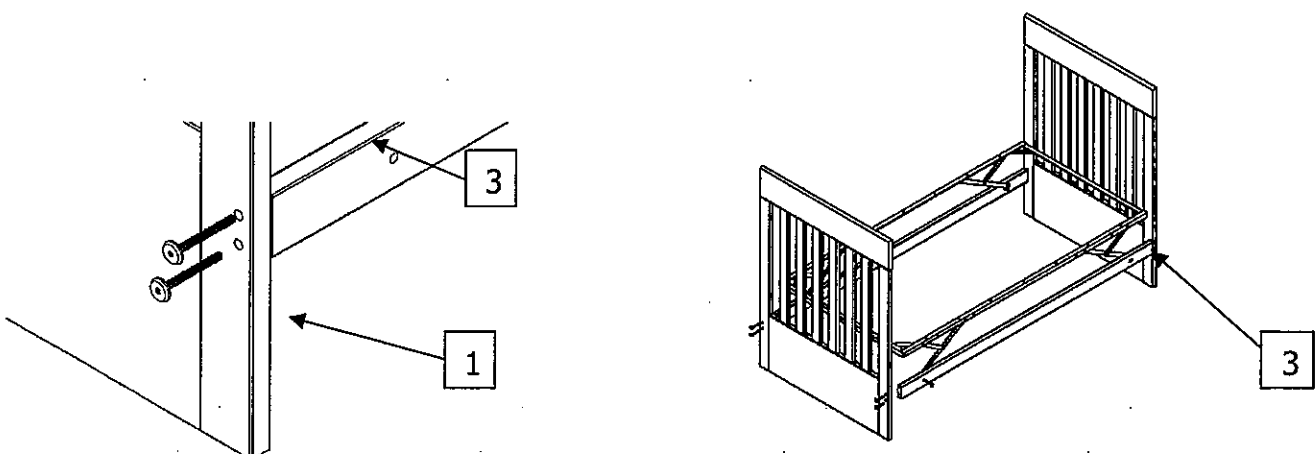
Step 2: Attaching the Spring Deck

Once you have adjusted your spring deck (2), you are ready to attach the spring deck to the stabilizer bars (3). To do this, line the holes of the spring deck device (the 'Y' device used to adjust the spring deck) with the holes on the stabilizer bars. Place a 30mm bolt (B) through the hole on the outer surface of the stabilizer bar and through the spring deck hole; secure the bolt with a nut (E). The spring deck should be secured to the inner surface of the stabilizer bars. Only the heads of the bolts should be visible on the exterior of the stabilizer bars. Ensure that the bolts used to secure the spring deck are tight and securely anchored.



Step 3: Attaching stabilizer bars to crib wings

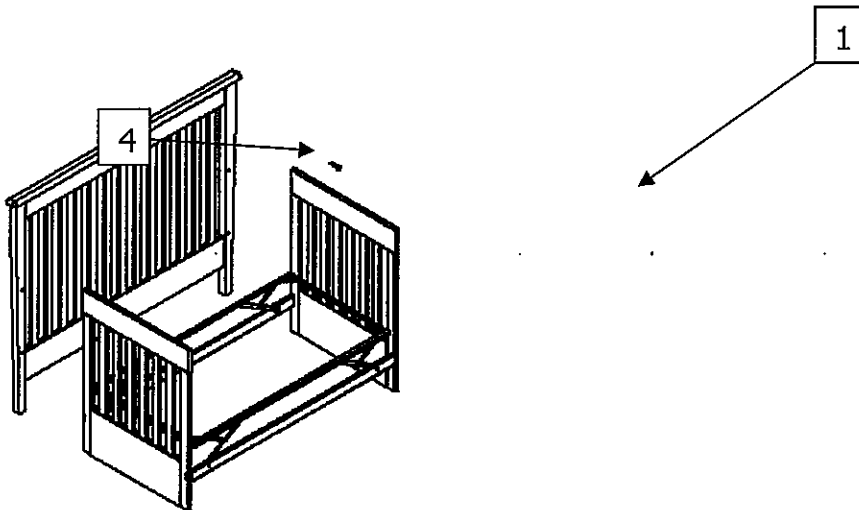
Attach the stabilizer bars to the left and right wings (1) of the crib. To do this, start by attaching the stabilizer bars to the left wing; place two, 35mm (C) bolts into the predrilled holes on the exterior of the wings. Line the stabilizer bars up with the bolts and secure.



Step 4: Attaching the Headboard and Footboard

You have now come to one of the final steps in constructing your Crib. To attach the headboard (4) to the crib wings (1), use a 65mm bolt (D) and secure by anchoring into the predrilled holes on the interior of the wings. The predrilled holes should match a second set of predrilled holes in the headboard.

Repeat this step for attaching the footboard.



Step 5: Placing the Mattress and Final Check

At this point you are almost ready to use your crib. Take one final look to ensure that all bolts are securely anchored. After doing so, place your mattress in the crib. **ANY MATTRESS USED IN THIS CRIB MUST BE AT LEAST 27 ¼ INCHES BY 51 1/8 INCHES WITH A THICKNESS NOT EXCEEDING 6 INCHES. (U.S. Regulation only)**

All cribs should be periodically checked for tightness and security of bolts and other hardware used



ADDITIONAL WARNINGS

Failure to follow these warnings and the assembly instructions could result in serious injury or death;

- Check this product for damaged hardware, loose joints, loose bolts or other fasteners, missing parts or sharp edges before and after assembly and frequently during use. **DO NOT** use crib if any parts are missing, damaged or broken. Contact College Woodwork's dealer for replacement parts and instructional literature if needed. **DO NOT** substitute parts
- **Strings and cords can cause strangulation! DO NOT** place items with a string around a child's neck, such as hood strings or pacifier cords. **DO NOT** suspend strings over a crib or attach strings to toys. To help prevent strangulation, tighten all fasteners. A child can trap parts of the body or clothing on loose fasteners. **DO NOT** place crib near window where cords from blinds or drapes may strangle a child;
- **Infants can suffocate on soft bedding. NEVER** add a pillow or comforter. **NEVER** place additional padding under an infant;
- **When child is able to achieve a standing position, set mattress to lowest position and remove bumper pads, large toys and other objects that may assist the child in escaping;**
- **When child is able to climb or reaches the height of 35in. (90 cm) stop using this crib;**
- **If refinishing, use a non-toxic finish specified for children's products;**
- **To reduce the risk of SIDS, pediatricians recommend healthy infants be placed on their backs to sleep, unless otherwise advised by your physician;**
- **DO NOT** use this crib if the enclosed or attached instructions cannot be strictly adhered to; **DO NOT** use this crib if the child is able climb out unaided or is taller than 90 cm. **DO NOT** place cords, straps or similar items that could become wound around the child's neck in or near the crib. Ensure that the sides are properly locked in place when the crib is occupied. The mattress used with this crib should not be more than 15 cm thick and should be of such length and width that the gap between the mattress and the sides of the crib is not more than 3 cm when the mattress is pushed into the corner of the crib.
- Follow warnings on all products in a crib

**CAUTION: ANY MATTRESS USED IN THIS CRIB
MUST BE AT LEAST 27 ¼ INCHES BY 51 1/8 INCHES
WITH A THICKNESS NOT EXCEEDING 6 INCHES
AND A MINIMUM MATTRESS THICKNESS OF 4
INCHES**

RÈGLEMENTS DES ÉTATS-UNIS

NE PAS SÉPARER LE PRÉSENT SACHET DES RESSORTS!
UNE FOIS LE BERCEAU ENTIÈREMENT MONTÉ, RANGER LES INSTRUCTIONS DANS LE
PRÉSENT SACHET.



AVERTISSEMENT

- Inspecter le présent produit pour déceler tout dommage matériel, toute pièce d'assemblage desserrée, tout boulon ou autre dispositif de fixation desserré, toute pièce manquante ou tout bord coupant avant et après l'assemblage, et fréquemment pendant l'utilisation du présent produit. **NE PAS UTILISER** le berceau s'il manque des pièces, ou si des pièces sont endommagées ou cassées. Si nécessaire, communiquer avec le dépositaire de College Woodwork pour un remplacement de pièce ou de document d'instructions. **NE PAS substituer de pièces.**
- Les ficelles et les cordes peuvent causer un étranglement! **NE PAS** placer d'objet avec une corde autour du cou d'un enfant, comme les cordes d'un bonnet ou l'attache d'une sucette. **NE PAS** suspendre de cordes au-dessus d'un berceau ou attacher de ficelles à un jouet. Pour aider à éviter un étranglement, bien serrer tous les dispositifs de fixation. Un enfant peut accrocher une partie de son corps ou de ses vêtements à des dispositifs de fixation desserrés. **NE PAS** placer le berceau prêt d'une fenêtre où les cordes de rideaux ou de stores pourraient étrangler un enfant.
- Les bébés peuvent s'étouffer sur des articles de literie rembourrés. **NE JAMAIS** mettre de coussin ou de couette dans le berceau. **NE JAMAIS** placer de rembourrage additionnel sous un bébé.
- Lorsqu'un enfant est capable de se mettre debout, placer le matelas à la position la plus basse et enlever les bordures de protection, les gros jouets et les autres objets dont l'enfant pourrait se servir pour sortir du berceau.
- Lorsque l'enfant est capable de grimper ou atteint la taille de 35 po (90 cm), cesser d'utiliser le présent berceau.
- En cas de revernissage, utiliser un vernis non-toxique destiné aux produits pour enfants.
- Afin de réduire les risques de mort subite du nourrisson, les pédiatres recommandent que les bébés en bonne santé soient placés sur le dos pour dormir, sauf indication contraire de votre médecin.
- **NE PAS** utiliser le présent berceau à moins d'être en mesure de suivre précisément les instructions qui l'accompagnent. **NE PAS** utiliser le présent berceau si l'enfant est capable d'en sortir sans aide ou mesure plus de 90 cm. **NE PAS** mettre dans le lit ou à proximité de celui-ci des cordes, courroies ou objets semblables qui risqueraient de s'enrouler autour du cou de l'enfant. S'assurer que les côtés du lit sont bien verrouillés à la position appropriée lorsque l'enfant est dedans. Utiliser un matelas dont l'épaisseur est d'au plus 15 cm et dont la taille permet d'empêcher, lorsqu'il est poussé fermement contre un coin du lit, qu'un espace de plus de 3 cm soit créé entre le matelas et les côtés du berceau.
- Suivre les avertissements situés sur tous les produits d'un berceau.

**ATTENTION : TOUT MATELAS UTILISÉ POUR LE PRÉSENT BERCEAU DOIT MESURER AU MOINS
27^{1/4} POUCES DE LARGE PAR 51^{1/8} POUCES DE LONG, ET DOIT AVOIR UNE ÉPAISSEUR COMPRISE
ENTRE 4 ET 6 POUCES.**

COLLEGE WOODWORK

N° DE MODÈLE

145, PROMENADE CLARENCE BIESENTHAL

OSHAWA (ONTARIO), CANADA

905 725-3566

DATE DE
FABRICATION